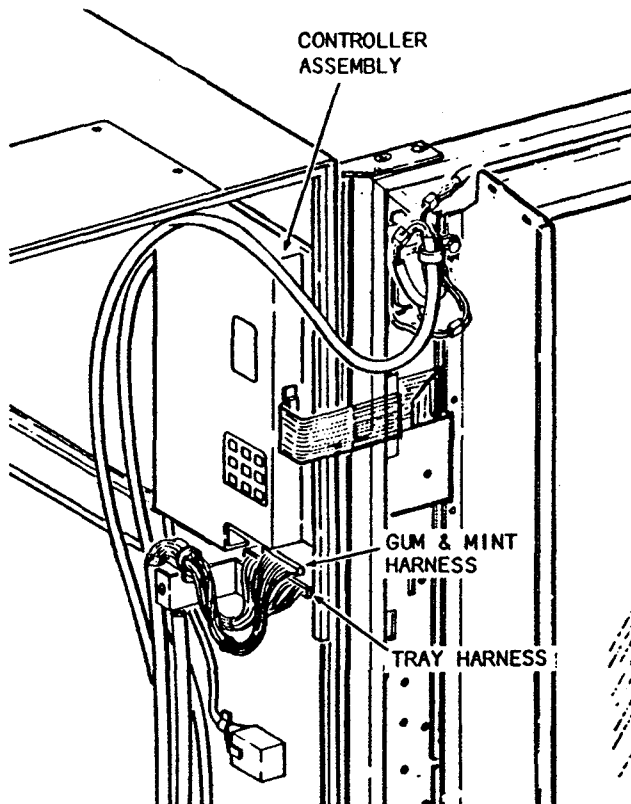
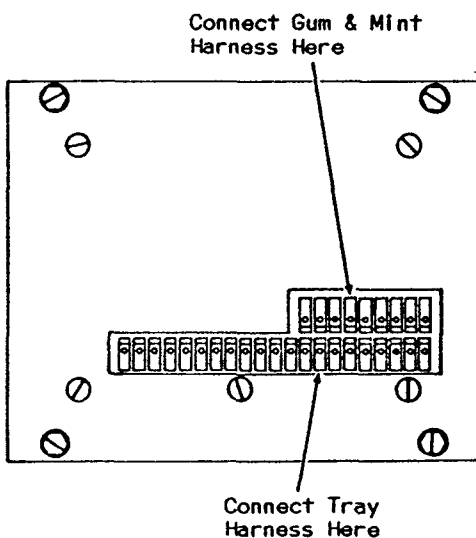


# INSTRUCTIONS FOR TESTING TRAY MOTORS AND GUM AND MINT MOTORS ON A SNACKTRON 1 OR 2 MERCHANDISER

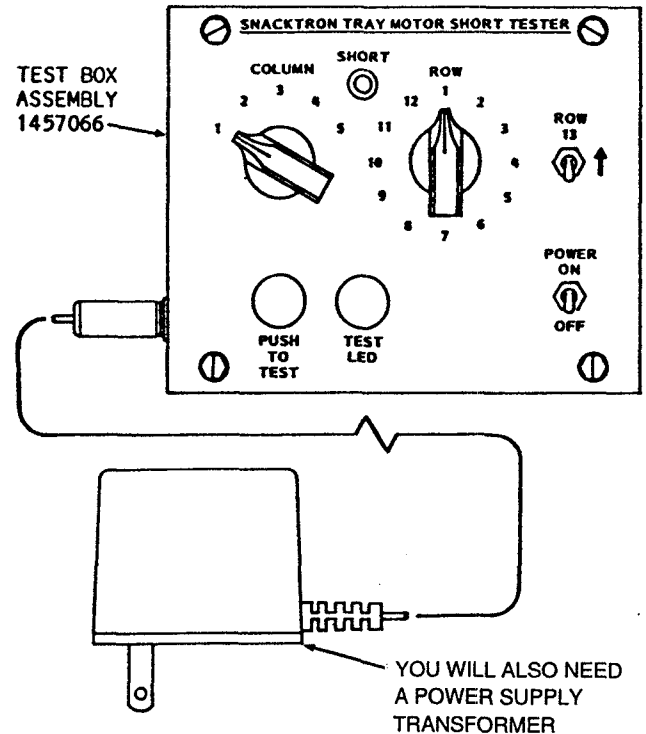
- A. Turn off power to the machine.
- B. Disconnect the Tray Harness and the Gum and Mint Harness from the Controller Assembly.



- C. Connect the Tray Harness and the Gum and Mint Harness to the Test Box. Observe polarity.



- D. Connect the Transformer-Power Supply to the Test Box and to a 120 VAC, 60 hertz, power source. Tester supplies 12 VDC to motors.



- E. Switch Test Box to power ON. Short LED will light dimly.
- F. Press "TEST LED" Switch. Verify that the "SHORT" indicator lamp is illuminated while switch is depressed.

- G. Test Suspect Motor(s) as follows:

1. Set "COLUMN" and "ROW" Rotary Switches to positions which correspond to suspect motor's selection number. (Reference Table 1).

### NOTE

"ROW 13" Switch must be down for rows 1-12 to operate. "ROW 13" is used for Gum and Mint only.

2. Depress "PUSH TO TEST" Switch.  
(All motors will run half normal speed)

- a. If suspect motor (and only suspect motor) turns at a much slower than normal rate, motor and wiring to it may be assumed to be good.
- b. If two or more motors turn (at a much slower than normal rate), there is an error in the Wiring Harness or Tray Assembly.
- c. If the "SHORT" indicator lamp illuminates brightly, there is a short in the Motor Assembly, the Tray Assembly, or the Wiring Harness.

H. Switch Test Box to power OFF.

TABLE 1

ROW	COLUMN				
	1	2	3	4	5
1	A1	A2	A3	A4	A5
2	A6	A7	A8	A9	A10
3	B1	B2	B3	B4	B5
4	B6	B7	B8	B9	B10
5	C1	C2	C3	C4	C5
6	C6	C7	C8	C9	C10
7	D1	D2	D3	D4	D5
8	D6	D7	D8	D9	D10
9	E1	E2	E3	E4	E5
10	E6	E7	E8	E9	E10
11	F1	F2	F3	F4	F5
12	F6	F7	F8	F9	F10
13	G1	G2	G3	G4	G5

I. Disconnect Machine Harnesses from the Test Box.

J. Remedy any wiring/motor errors before reconnecting Machine Harnesses to the Controller Assembly.

Instructions for bench testing individual tray motors.

- A. Plug harness on Gum & Mint terminal on back of tester.
- B. Plug other end of harness on tray motor. (NOTE polarity of plug)
- C. Flip Row 13 lever up.
- D. Set column rotary switch on 1.
- E. Turn power ON.
- F. Press test button to run motor.
- G. If either CR3 or C1 is shorted, the short light will glow.

